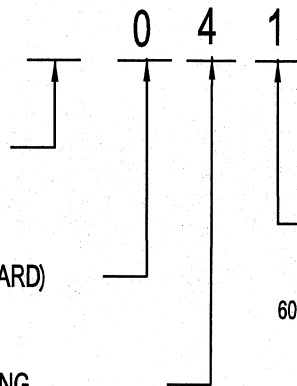


REV	ECN	APPD
-	5915	GHR 07/27/06

# ELMP



NUMBER OF POSITIONS  
 04 - 4 POSITIONS  
 08 - 8 POSITIONS

WIRE WINDOW (STANDARD)  
 0 = WIRE WINDOW

CENTERLINE SPACING  
 4 = .400" CL

## GENERAL SPECIFICATIONS

1= 2 CONTACT TAILS PER POSITION - .400" SPACED  
 60 AMP, 300V, BLACK, TIN PLATING



RATINGS

CURRENT - 60A PENDING  
 VOLTAGE - 300V PENDING  
 U.L. FILE NO. E83421



RATINGS

CURRENT - 60A PENDING  
 VOLTAGE - 300V PENDING  
 CSA FILE NO. LR69703

DIN VDE 0627:1986  
 DIN VDE 0110-1:1989  
 EN 60947-1:1991  
 EN 60947-7-1:1992

CURRENT - 60A PENDING  
 VOLTAGE - 300V PENDING  
 TUV FILE NO. 20396

### INSTALLATION RECOMMENDATIONS:

WIRE RANGE: AWG #8 - 18 AWG, STRAND OR SOLID  
 WIRE STRIP LENGTH: .430" (16.0 MM)  
 REC. TIGHTENING TORQUE: 12 IN-LB.

### MATERIALS:

HOUSING: PA, UL 94 V-0, BLACK  
 CONTACT: CU ALLOY, TIN PLATING PER ASTM B-545  
 SCREW: STEEL, BLACK ZINC PLATING PER ASTM B63398  
 WIRE CLAMP: CU ALLOY, NICKEL PLATING PER QQ-N-290

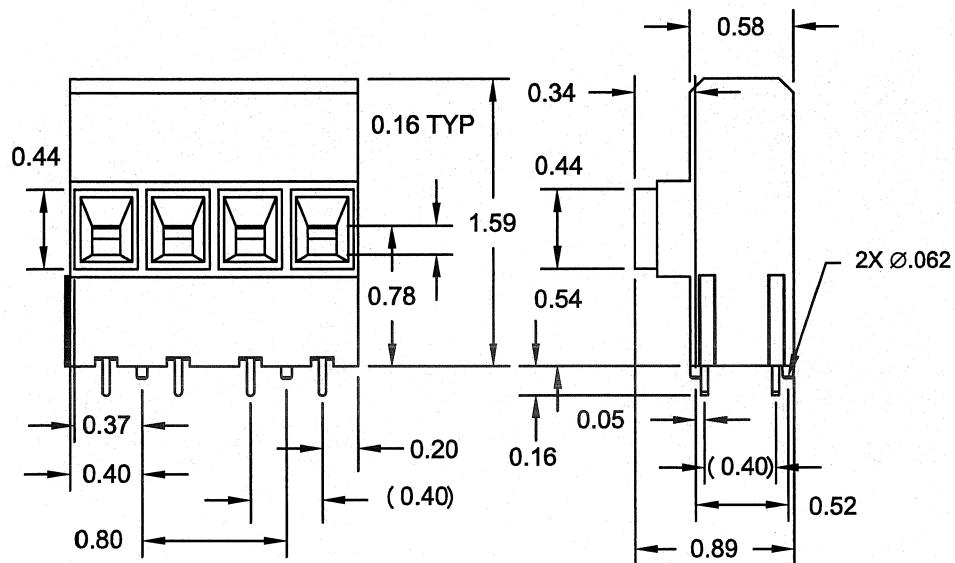
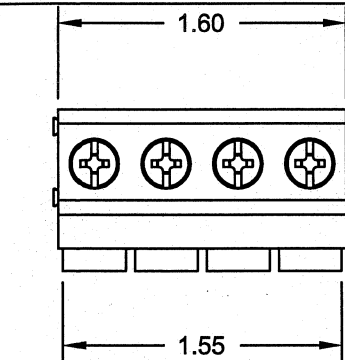
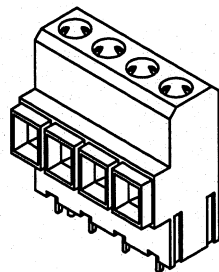
### OPERATING TEMPERATURE:

-40 °C TO 120 °C

DIMENSIONS ANSI Y14.5M UNITS: INCHES Pro/E FILE	TOLERANCES .XX ± 0.01 .XXX ± 0.005 ANGLES ± 2.0 °	PROJECTION 	<b>AMPHENOL PCD</b>		TITLE <b>ELMP SERIES TERMINAL BLOCK          .400" CL</b>		
			ENGR R. VAN DER ESCH 07/27/06				
ORIGINAL STAMPED IN RED	THIS DOCUMENT CONTAINS PROPRIETARY INFORMATION WHICH IS THE CONFIDENTIAL PROPERTY OF AMPHENOL PCD, INC. PEABODY, MA, USA	CHKD P. CASTRICHINI 07/27/06		SIZE <b>A</b>	DWG NO. <b>ELMP04041</b>		REV -
		APPD G. ROBERTSON 07/27/06		CODE: 58982		SCALE: NONE	SHEET 10F 2

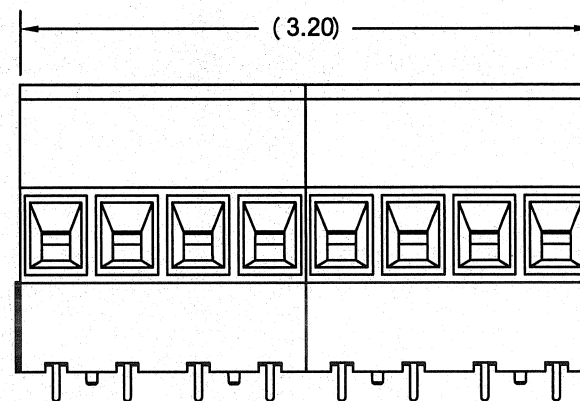
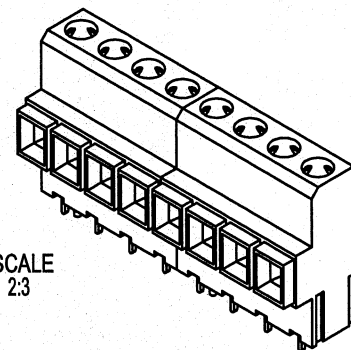
# ELMP04041

SCALE  
2:3



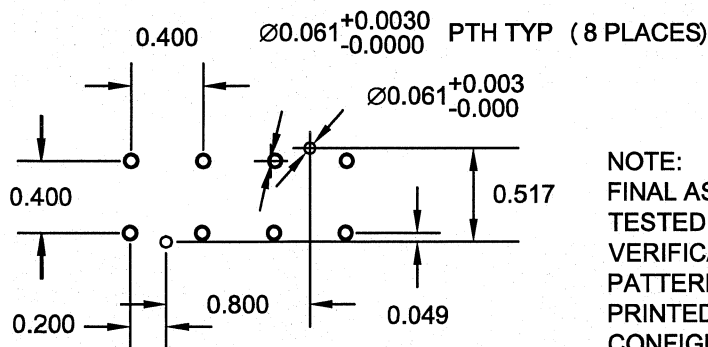
# ELMP08041

SCALE  
2:3



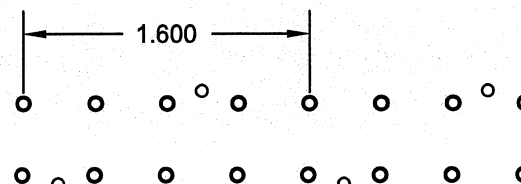
ALL OTHER DIMENSIONS SAME AS ELMP04041

## PRINTED CIRCUIT BOARD CONFIGURATION



NOTE:  
FINAL ASSEMBLY MUST BE TESTED FOR FIT  
VERIFICATION TO THE DRILL PATTERN NOTED ON PRINTED CIRCUIT BOARD CONFIGURATION

RECOMMENDED PCB THICKNESS: .062 ± .008



8 CIRCUIT PATTERN IS TWO 4 CIRCUIT PATTERNS  
OFFSET BY 1.600

SIZE	DWG NO.	REV
A	ELMP04041	-
CODE: 58982	SCALE: NONE	SHEET 2 OF 2